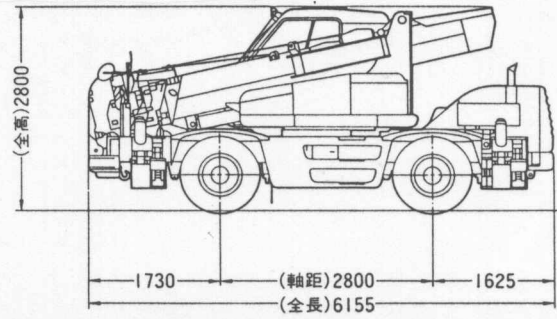
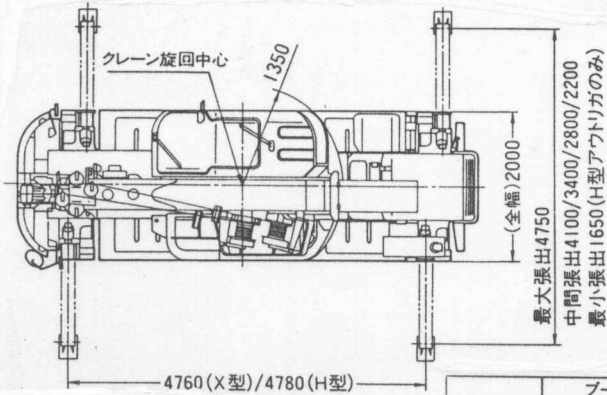


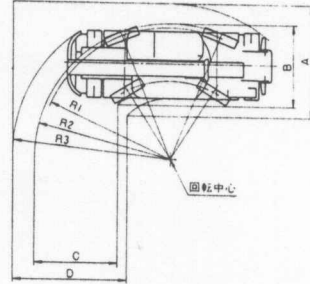
■外形図 10t ラフタークレーン

[型式名: LW100/LW100M]

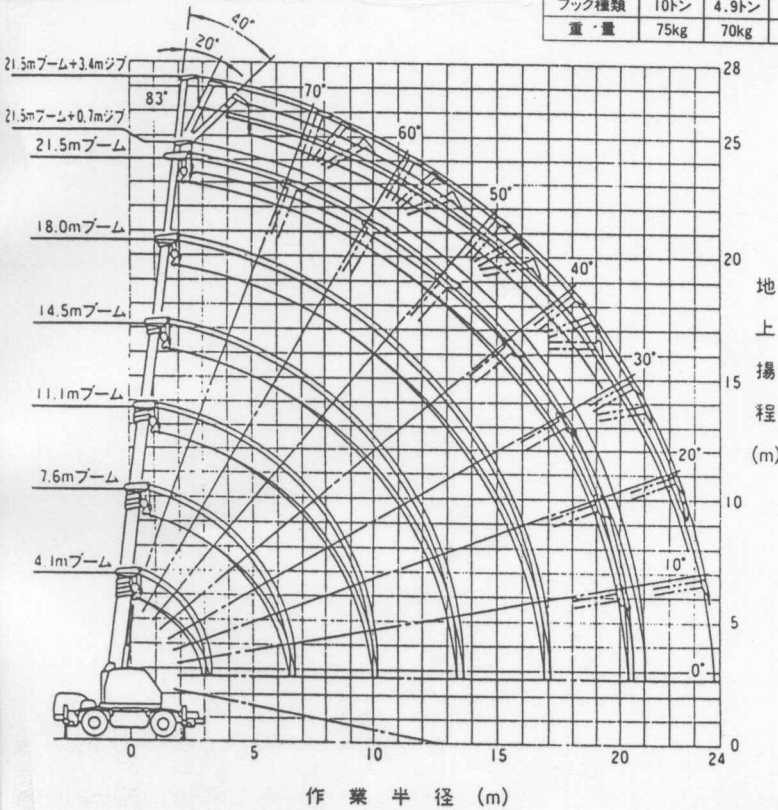


| フック種類 | ブーム | | シングルトップ・ジブ |
|-------|------|-------|------------|
| | 10トン | 4.9トン | 1.4トン |
| 重・量 | 75kg | 70kg | 21kg |

●前後輪(4輪)ステアリング



- R1 = 3.95m (最小回転半径)
- R2 = 4.08m (最外輪端回転半径)
- R3 = 4.70m (車体回転半径)
- A = 3.38m (車体入口通路幅)
- B = 2.48m (車輪入口通路幅)
- C = 2.48m (車輪出口通路幅)
- D = 3.38m (車体出口通路幅)



■アウトリガ使用時(ブーム作業)

アウトリガ最大張り出し
4.75m(全周) X・H型

| ブーム長 (m) | 4.1 | 7.6 | 11.1 | 14.5 | 18.0 | 21.5 |
|----------|-------|------------|------------|-------------|-------------|-------------|
| 1.0 | 10.00 | 5.00 | | | | |
| 1.5 | 10.00 | 5.00 | 5.00 | | | |
| 2.0 | 10.00 | 5.00 | 5.00 | 4.00 | | |
| 2.5 | 10.00 | 5.00 | 5.00 | 4.00 | 4.00 | |
| 3.0 | 8.00 | 5.00 | 5.00 | 4.00 | 4.00 | 2.00 |
| 3.5 | | 5.00 | 5.00 | 4.00 | 4.00 | 2.00 |
| 4.0 | | 5.40 | 5.00 | 4.00 | 4.00 | 2.00 |
| 4.5 | | 4.60 | 4.40 | 4.00 | 3.60 | 2.00 |
| 5.0 | | 4.20 | 3.90 | 3.55 | 3.20 | 2.00 |
| 5.5 | | 3.80 | 3.50 | 3.20 | 2.90 | 2.00 |
| 6.0 | | 3.40 | 3.15 | 2.90 | 2.70 | 2.00 |
| 6.5 | | 3.10(6.4m) | 2.90 | 2.70 | 2.50 | 1.90 |
| 7.0 | | | 2.65 | 2.50 | 2.30 | 1.80 |
| 8.0 | | | 2.25 | 2.10 | 1.95 | 1.60 |
| 9.0 | | | 1.90 | 1.80 | 1.70 | 1.45 |
| 10.0 | | | 1.58(9.9m) | 1.55 | 1.50 | 1.30 |
| 11.0 | | | | 1.35 | 1.33 | 1.20 |
| 12.0 | | | | 1.15 | 1.14 | 1.10 |
| 13.0 | | | | 1.00 | 1.00 | 1.00 |
| 14.0 | | | | 0.92(13.4m) | 0.90 | 0.86 |
| 15.0 | | | | | 0.77 | 0.76 |
| 16.0 | | | | | 0.65 | 0.67 |
| 17.0 | | | | | 0.56(16.8m) | 0.58 |
| 18.0 | | | | | | 0.50 |
| 19.0 | | | | | | 0.42 |
| 20.0 | | | | | | 0.35 |
| 21.0 | | | | | | 0.33(20.3m) |
| 危険角度 | - | - | - | - | - | - |

■アウトリガ使用時(21.5mブーム+3.4m補助ジブ作業)

| 起伏角度 (°) | アウトリガ最大張り出し 4.75m(全周) X・H型 | | |
|----------|-------------------------------|------|------|
| | ジブチルト角 | | |
| | 0° | 20° | 40° |
| 83.0 | 1.20 | 0.86 | 0.48 |
| 80.0 | 1.20 | 0.86 | 0.48 |
| 75.0 | 1.20 | 0.77 | 0.48 |
| 72.0 | 1.20 | 0.72 | 0.48 |
| 70.0 | 1.15 | 0.69 | 0.48 |
| 65.0 | 0.93 | 0.62 | 0.48 |
| 60.0 | 0.77 | 0.57 | 0.46 |
| 55.0 | 0.66 | 0.53 | 0.45 |
| 50.0 | 0.56 | 0.50 | 0.44 |
| 45.0 | 0.49 | 0.45 | 0.42 |
| 40.0 | 0.43 | 0.40 | 0.40 |
| 35.0 | 0.39 | 0.37 | |
| 30.0 | 0.36 | 0.34 | |
| 25.0 | 0.30 | 0.30 | |
| 20.0 | 0.26 | 0.26 | |
| 15.0 | 0.23 | | |
| 10.0 | 0.22 | | |
| 危険角度 | - | 20° | 40° |

| ●寸法・質量 | |
|------------|-------------------------|
| 全長 | 6155mm |
| 全幅 | 2000mm |
| 全高 | 2800mm |
| 軸距 | 2800mm |
| 軸距(前輪・後輪社) | 1680mm |
| 車両総質量 | 12880kg(X型) 12805kg(H型) |

■アウトリガ使用時(ブーム作業) (シンブルトップ作業および1段引出し(ジブ長0.7m)で作業時の定格総荷重は、
*アウトリガ使用時の注意*の項を参照してください。)

[]内はLW100M (単位:ton)

| ブーム長 (m) | 作業半径(m) | | | | | |
|-------------|---------|------------|------------|-------------|-------------|-------------|
| | 4.1 | 7.6 | 11.1 | 14.5 | 18.0 | 21.5 |
| 1.0 | 10.00 | 5.00 | | | | |
| 1.5 | 10.00 | 5.00 | 5.00 | | | |
| 2.0 | 10.00 | 5.00 | 5.00 | 4.00 | | |
| 2.5 | 10.00 | 5.00 | 5.00 | 4.00 | 4.00 | |
| 3.0 | 8.00 | 5.00 | 5.00 | 4.00 | 4.00 | 2.00 |
| 3.5 | | 5.00 | 5.00 | 4.00 | 4.00 | 2.00 |
| 4.0 | | 5.40 | 5.00 | 4.00 | 4.00 | 2.00 |
| 4.5 | | 4.60 | 4.40 | 4.00 | 3.60 | 2.00 |
| 5.0 | | 4.20 | 3.90 | 3.55 | 3.20 | 2.00 |
| 5.5 | | 3.80 | 3.50 | 3.20 | 2.90 | 2.00 |
| 6.0 | | 3.40 | 3.15 | 2.90 | 2.70 | 2.00 |
| 6.5 | | 3.10(6.4m) | 2.90 | 2.70 | 2.50 | 1.90 |
| 7.0 | | | 2.65 | 2.50 | 2.30 | 1.80 |
| 8.0 | | | 2.25 | 2.10 | 1.95 | 1.60 |
| 9.0 | | | 1.90 | 1.80 | 1.70 | 1.45 |
| 10.0 | | | 1.58(9.9m) | 1.55 | 1.50 | 1.30 |
| 11.0 | | | | 1.35 | 1.33 | 1.20 |
| 12.0 | | | | 1.15 | 1.14 | 1.10 |
| 13.0 | | | | 1.00 | 1.00 | 1.00 |
| 14.0 | | | | 0.92(13.4m) | 0.90 | 0.86 |
| 15.0 | | | | | 0.77 | 0.76 |
| 16.0 | | | | | 0.65 | 0.67 |
| 17.0 | | | | | 0.56(16.8m) | 0.58 |
| 18.0 | | | | | | 0.50 |
| 19.0 | | | | | | 0.42 |
| 20.0 | | | | | | 0.35 |
| 21.0 | | | | | | 0.33(20.3m) |
| 危険角度 | - | - | - | - | - | - |

| ブーム長 (m) | 作業半径(m) | | | | | |
|-------------|-------------|------------|------------|-------------|-------------|------|
| | 4.1 | 7.6 | 11.1 | 14.5 | 18.0 | 21.5 |
| 1.0 | 10.00[4.90] | 5.00[4.90] | | | | |
| 1.5 | 10.00[4.90] | 5.00[4.90] | 5.00[4.90] | | | |
| 2.0 | 10.00[4.90] | 5.00[4.90] | 5.00[4.90] | 4.00 | | |
| 2.5 | 9.40[4.90] | 5.00[4.90] | 5.00[4.90] | 4.00 | 4.00 | |
| 3.0 | 7.80[4.90] | 5.00[4.90] | 5.00[4.90] | 4.00 | 4.00 | 2.00 |
| 3.5 | | 5.00[4.90] | 5.00[4.90] | 4.00 | 4.00 | 2.00 |
| 4.0 | | | 5.00[4.90] | 4.00 | 4.00 | 2.00 |
| 4.5 | | 4.60 | 4.40 | 4.00 | 3.60 | 2.00 |
| 5.0 | | 4.20 | 3.90 | 3.55 | 3.20 | 2.00 |
| 5.5 | | 3.80 | 3.50 | 3.20 | 2.90 | 2.00 |
| 6.0 | | 3.40 | 3.15 | 2.90 | 2.70 | 2.00 |
| 6.5 | | 3.05(6.4m) | 2.85 | 2.70 | 2.50 | 1.90 |
| 7.0 | | | 2.45 | 2.50 | 2.30 | 1.80 |
| 8.0 | | | 1.85 | 2.08 | 1.95 | 1.60 |
| 9.0 | | | 1.44 | 1.65 | 1.70 | 1.45 |
| 10.0 | | | 1.15(9.9m) | 1.32 | 1.44 | 1.30 |
| 11.0 | | | | 1.07 | 1.18 | 1.20 |
| 12.0 | | | | 0.85 | 0.98 | 1.05 |
| 13.0 | | | | 0.65 | 0.80 | 0.89 |
| 14.0 | | | | 0.59(13.4m) | 0.63 | 0.73 |
| 15.0 | | | | | 0.50 | 0.59 |
| 16.0 | | | | | 0.38 | 0.47 |
| 17.0 | | | | | 0.30(16.8m) | 0.36 |
| 18.0 | | | | | | 0.27 |
| 19.0 | | | | | | 0.20 |
| 20.0 | | | | | | |
| 21.0 | | | | | | |
| 危険角度 | - | - | - | - | - | 24° |

| 起伏 角度 (°) | ジブチルト角 | | |
|-----------------|--------|------|------|
| | 0° | 20° | 40° |
| | 83.0 | 1.20 | 0.86 |
| 80.0 | 1.20 | 0.86 | 0.48 |
| 75.0 | 1.20 | 0.77 | 0.48 |
| 72.0 | 1.20 | 0.72 | 0.48 |
| 70.0 | 1.15 | 0.69 | 0.48 |
| 65.0 | 0.93 | 0.62 | 0.48 |
| 60.0 | 0.77 | 0.57 | 0.46 |
| 55.0 | 0.66 | 0.53 | 0.45 |
| 50.0 | 0.56 | 0.50 | 0.44 |
| 45.0 | 0.44 | 0.42 | 0.42 |
| 40.0 | 0.33 | 0.32 | 0.31 |
| 35.0 | 0.24 | 0.23 | |
| 30.0 | | | |
| 25.0 | | | |
| 20.0 | | | |
| 15.0 | | | |
| 10.0 | | | |
| 危険角度 | 32° | 33° | 40° |

| ブーム長 (m) | 作業半径(m) | | | | | |
|-------------|-------------|------------|------------|-------------|-------------|-------------|
| | 4.1 | 7.6 | 11.1 | 14.5 | 18.0 | 21.5 |
| 1.0 | 10.00[4.90] | 5.00[4.90] | | | | |
| 1.5 | 10.00[4.90] | 5.00[4.90] | 5.00[4.90] | | | |
| 2.0 | 10.00[4.90] | 5.00[4.90] | 5.00[4.90] | 4.00 | | |
| 2.5 | 8.60[4.90] | 5.00[4.90] | 5.00[4.90] | 4.00 | 4.00 | |
| 3.0 | 7.30[4.90] | 5.00[4.90] | 5.00[4.90] | 4.00 | 4.00 | 2.00 |
| 3.5 | | 5.00[4.90] | 5.00[4.90] | 4.00 | 4.00 | 2.00 |
| 4.0 | | 5.40[4.90] | 5.00[4.90] | 4.00 | 4.00 | 2.00 |
| 4.5 | | 4.35 | 4.20 | 4.00 | 3.60 | 2.00 |
| 5.0 | | 3.50 | 3.40 | 3.55 | 3.20 | 2.00 |
| 5.5 | | 2.90 | 2.80 | 3.06 | 2.90 | 2.00 |
| 6.0 | | 2.45 | 2.35 | 2.60 | 2.70 | 2.00 |
| 6.5 | | 2.15(6.4m) | 2.00 | 2.23 | 2.35 | 1.90 |
| 7.0 | | | 1.71 | 1.93 | 2.05 | 1.80 |
| 8.0 | | | 1.26 | 1.47 | 1.60 | 1.60 |
| 9.0 | | | 0.90 | 1.14 | 1.25 | 1.34 |
| 10.0 | | | 0.64(9.9m) | 0.87 | 1.00 | 1.08 |
| 11.0 | | | | 0.64 | 0.78 | 0.88 |
| 12.0 | | | | 0.45 | 0.59 | 0.69 |
| 13.0 | | | | 0.29 | 0.44 | 0.53 |
| 14.0 | | | | 0.24(13.4m) | 0.30 | 0.40 |
| 15.0 | | | | | 0.20(14.9m) | 0.28 |
| 16.0 | | | | | | 0.20(15.9m) |
| 危険角度 | - | - | - | - | 31° | 41° |

| ブーム長 (m) | 作業半径(m) | | | | | |
|-------------|-------------|------------|------------|-------------|-------------|-------------|
| | 4.1 | 7.6 | 11.1 | 14.5 | 18.0 | 21.5 |
| 1.0 | 10.00[4.90] | 5.00[4.90] | | | | |
| 1.5 | 10.00[4.90] | 5.00[4.90] | 5.00[4.90] | | | |
| 2.0 | 9.65[4.90] | 5.00[4.90] | 5.00[4.90] | 4.00 | | |
| 2.5 | 7.90[4.90] | 5.00[4.90] | 5.00[4.90] | 4.00 | 4.00 | |
| 3.0 | 6.60[4.90] | 5.00[4.90] | 5.00[4.90] | 4.00 | 4.00 | 2.00 |
| 3.5 | | 5.00[4.90] | 4.90 | 4.00 | 4.00 | 2.00 |
| 4.0 | | 3.85 | 3.70 | 4.00 | 4.00 | 2.00 |
| 4.5 | | 3.05 | 2.95 | 3.20 | 3.35 | 2.00 |
| 5.0 | | 2.50 | 2.39 | 2.60 | 2.75 | 2.00 |
| 5.5 | | 2.05 | 1.95 | 2.19 | 2.30 | 2.00 |
| 6.0 | | 1.73 | 1.63 | 1.85 | 1.98 | 2.00 |
| 6.5 | | 1.50(6.4m) | 1.35 | 1.57 | 1.70 | 1.78 |
| 7.0 | | | 1.14 | 1.35 | 1.47 | 1.55 |
| 8.0 | | | 0.72 | 1.00 | 1.12 | 1.20 |
| 9.0 | | | 0.43 | 0.69 | 0.85 | 0.93 |
| 10.0 | | | 0.22(9.9m) | 0.45 | 0.60 | 0.71 |
| 11.0 | | | | 0.27 | 0.42 | 0.52 |
| 12.0 | | | | 0.20(11.4m) | 0.26 | 0.36 |
| 13.0 | | | | | 0.20(12.5m) | 0.23 |
| 14.0 | | | | | | 0.20(13.3m) |
| 15.0 | | | | | | |
| 16.0 | | | | | | |
| 危険角度 | - | - | - | - | 34° | 44° |

| 起伏 角度 (°) | ジブチルト角 | | |
|-----------------|--------|------|------|
| | 0° | 20° | 40° |
| | 83.0 | 1.20 | 0.86 |
| 80.0 | 1.20 | 0.86 | 0.48 |
| 75.0 | 1.20 | 0.77 | 0.48 |
| 72.0 | 1.20 | 0.72 | 0.48 |
| 70.0 | 1.15 | 0.69 | 0.48 |
| 65.0 | 0.93 | 0.62 | 0.48 |
| 60.0 | 0.72 | 0.57 | 0.46 |
| 55.0 | 0.49 | 0.46 | 0.44 |
| 50.0 | 0.33 | 0.30 | 0.30 |
| 45.0 | 0.20 | | |
| 40.0 | | | |
| 35.0 | | | |
| 30.0 | | | |
| 25.0 | | | |
| 20.0 | | | |
| 15.0 | | | |
| 10.0 | | | |
| 危険角度 | 45° | 46° | 46° |

| ブーム長 (m) | 作業半径(m) | | | | | |
|-------------|-------------|------------|------------|------------|-------------|-------------|
| | 4.1 | 7.6 | 11.1 | 14.5 | 18.0 | 21.5 |
| 1.0 | 10.00[4.90] | 5.00[4.90] | | | | |
| 1.5 | 8.00[4.90] | 5.00[4.90] | 5.00[4.90] | | | |
| 2.0 | 6.25[4.90] | 5.00[4.90] | 5.00[4.90] | 4.00 | | |
| 2.5 | 5.05[4.90] | 5.00[4.90] | 4.70 | 4.00 | 4.00 | |
| 3.0 | 4.15 | 3.90 | 3.80 | 4.00 | 4.00 | 2.00 |
| 3.5 | | 3.20 | 3.10 | 3.30 | 3.45 | 2.00 |
| 4.0 | | 2.53 | 2.43 | 2.65 | 2.80 | 2.00 |
| 4.5 | | 2.00 | 1.90 | 2.14 | 2.25 | 2.00 |
| 5.0 | | 1.62 | 1.52 | 1.74 | 1.85 | 1.95 |
| 5.5 | | 1.32 | 1.22 | 1.42 | 1.55 | 1.64 |
| 6.0 | | 1.08 | 0.95 | 1.19 | 1.30 | 1.39 |
| 6.5 | | 0.89(6.4m) | 0.71 | 0.99 | 1.10 | 1.19 |
| 7.0 | | | 0.52 | 0.78 | 0.94 | 1.02 |
| 8.0 | | | 0.22 | 0.48 | 0.64 | 0.74 |
| 9.0 | | | 0.20(8.1m) | 0.25 | 0.40 | 0.50 |
| 10.0 | | | | 0.20(9.2m) | 0.22 | 0.32 |
| 11.0 | | | | | 0.20(10.1m) | 0.20(10.8m) |
| 危険角度 | - | - | 38° | 48° | 55° | 59° |

| ブーム長 (m) | 作業半径(m) | | | | | |
|-------------|-------------|------------|------------|------------|------------|------------|
| | 4.1 | 7.6 | 11.1 | 14.5 | 18.0 | 21.5 |
| 1.0 | 10.00[4.90] | 5.00[4.90] | | | | |
| 1.5 | 8.00[4.90] | 5.00[4.90] | 5.00[4.90] | | | |
| 2.0 | 6.25[4.90] | 5.00[4.90] | 5.00[4.90] | 4.00 | | |
| 2.5 | 4.15 | 3.85 | 3.70 | 4.00 | 4.00 | |
| 3.0 | 3.00 | 2.70 | 2.60 | 2.85 | 3.00 | 2.00 |
| 3.5 | | 2.02 | 1.92 | 2.15 | 2.27 | 2.00 |
| 4.0 | | 1.54 | 1.44 | 1.65 | 1.80 | 1.88 |
| 4.5 | | 1.19 | 1.08 | 1.30 | 1.43 | 1.52 |
| 5.0 | | 0.90 | 0.77 | 1.03 | 1.15 | 1.24 |
| 5.5 | | 0.63 | 0.52 | 0.78 | 0.94 | 1.02 |
| 6.0 | | 0.44 | 0.31 | 0.58 | 0.74 | 0.84 |
| 6.5 | | 0.30(6.4m) | 0.20(6.3m) | 0.41 | 0.56 | 0.66 |
| 7.0 | | | | 0.26 | 0.42 | 0.52 |
| 8.0 | | | | 0.20(7.2m) | 0.20(7.9m) | 0.29 |
| 9.0 | | | | | | 0.20(8.5m) |
| 10.0 | | | | | | |
| 11.0 | | | | | | |
| 危険角度 | - | - | 52° | 59° | 63° | 66° |

| 起伏 角度 (°) | ジブチルト角 | | |
|-----------------|--------|------|------|
| | 0° | 20° | 40° |
| | 83.0 | 1.20 | 0.86 |
| 80.0 | 1.20 | 0.86 | 0.48 |
| 75.0 | 1.20 | 0.77 | 0.48 |
| 72.0 | 1.20 | 0.72 | 0.48 |
| 70.0 | 1.06 | 0.69 | 0.48 |
| 65.0 | 0.70 | 0.62 | 0.48 |
| 60.0 | 0.43 | 0.39 | 0.37 |
| 55.0 | 0.24 | 0.22 | 0.21 |
| 危険角度 | 54° | 55° | 55° |

X型はその場張り出しできません